

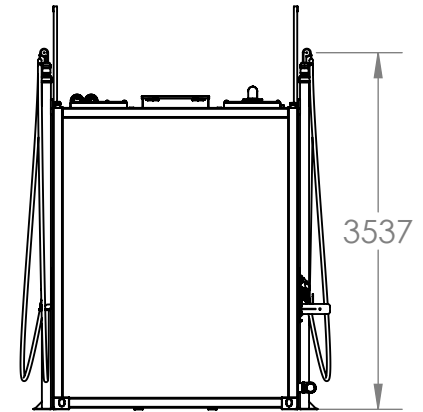
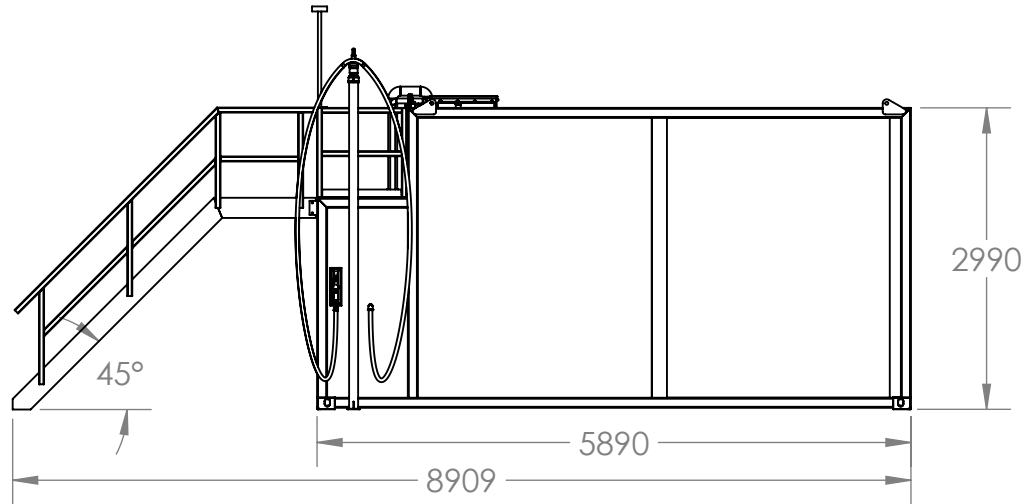
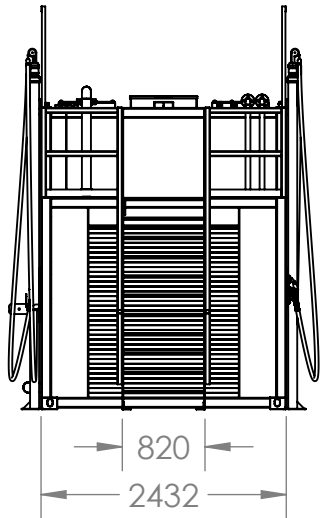
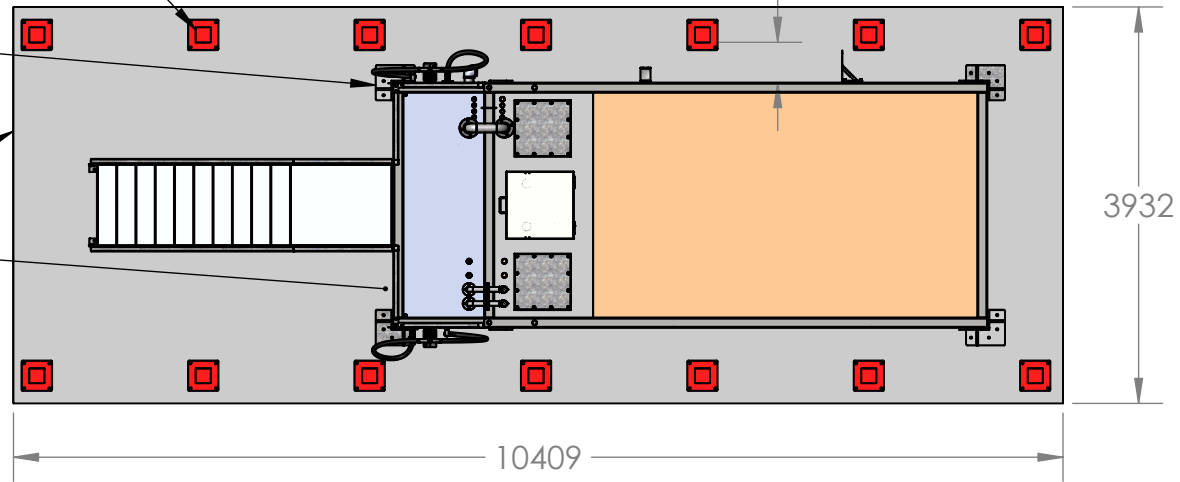
BOLLARDS - MAX 1500MM BETWEEN

MIN 400 BETWEEN AND BOLLARD

SEISMIC RESTRAINTS

CONCRETE PAD
AS PER FOUNDATION REPORT

POWER CONDUIT LOCATION



NOTES / AMENDMENTS:



DRAWING NO:	FSL 30,000 DS TANK		
SCALE:	1:75	SHEET NO:	1
DIMENSIONS:	MM	ISSUE DATE:	12/10/2020
DRAWN BY:	BAZ		A4