

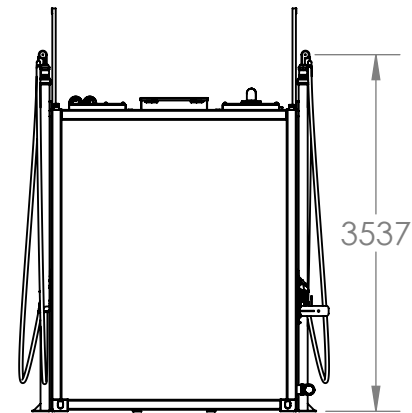
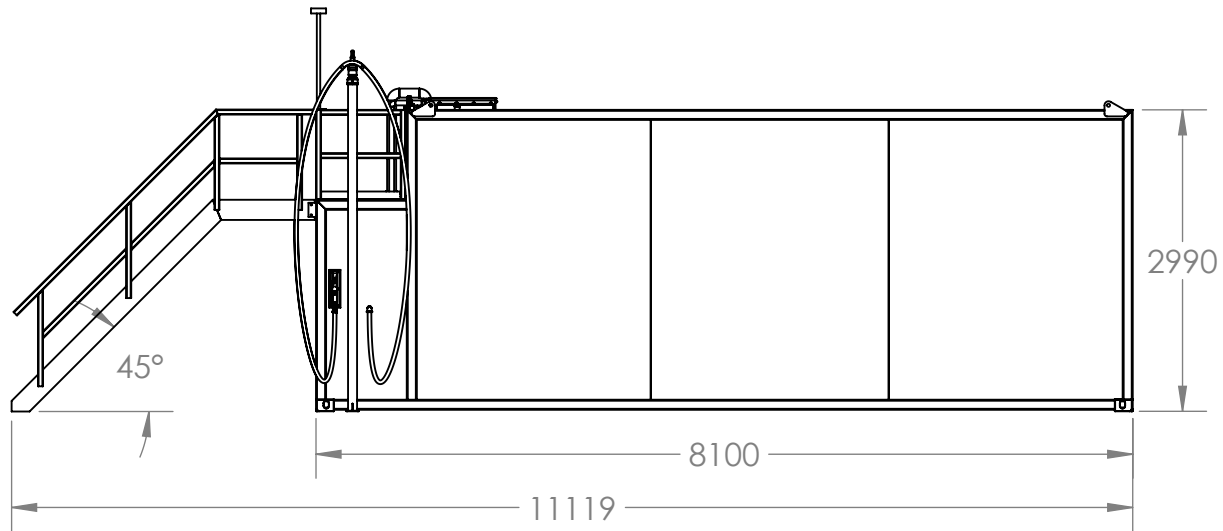
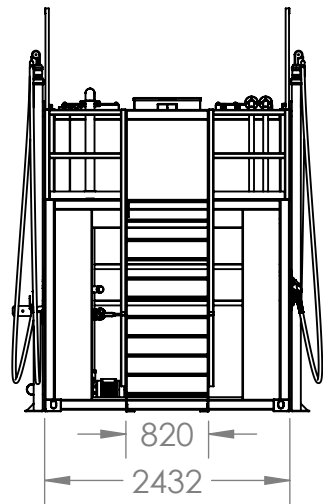
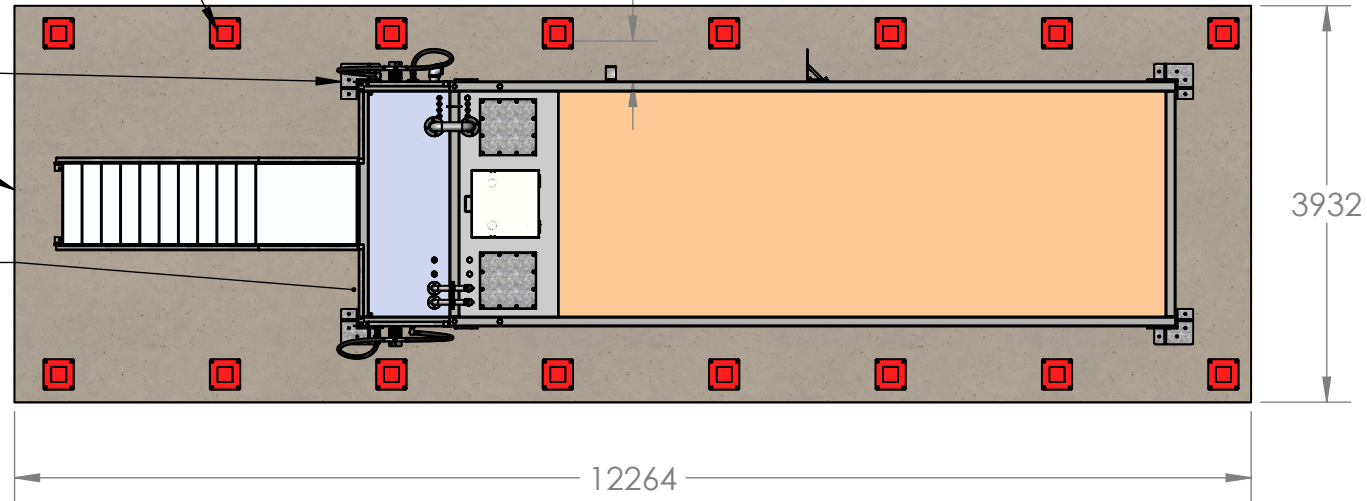
BOLLARDS - MAX 1500MM BETWEEN

MIN 400 BETWEEN TANK AND BOLLARD

SEISMIC RESTRAINTS

CONCRETE PAD  
AS PER FOUNDATION REPORT

POWER CONDUIT LOCATION



NOTES / AMENDMENTS:



DRAWING NO:	FSL 40,000L DS TANK		
SCALE:	1:75	SHEET NO:	1
DIMENSIONS:	MM	ISSUE DATE:	12/10/2020
DRAWN BY:	BAZ		A4