

CONCRETE PAD FOUNDATION

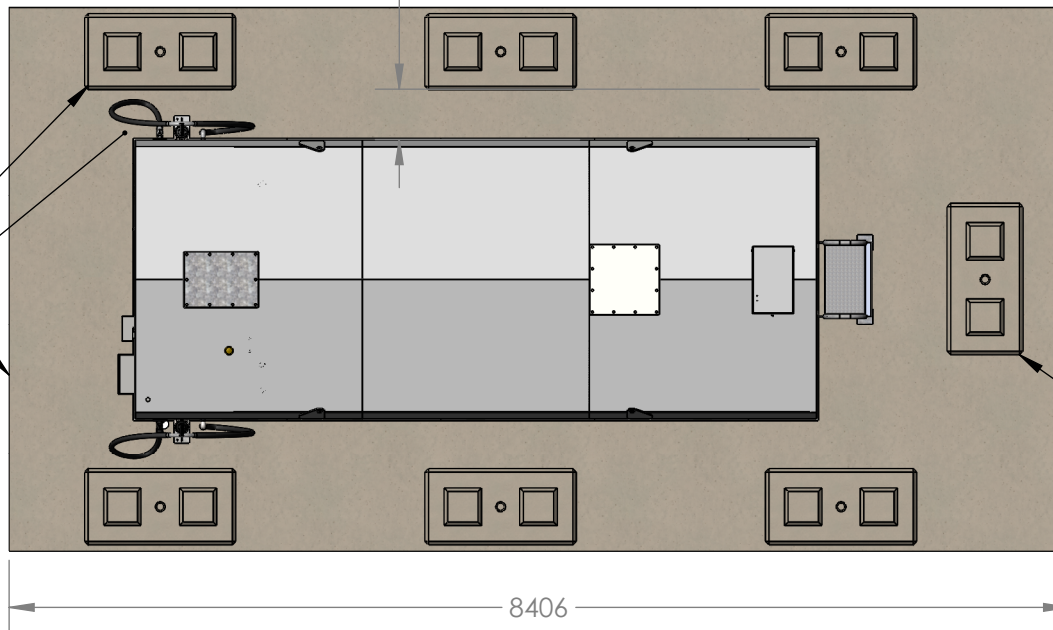
NOTES / AMENDMENTS:



DRAWING NO:	FSL 20,000 DS TANK		
SCALE:	1:50	SHEET NO:	1
DIMENSIONS:	MM	ISSUE DATE:	10/10/2022
DRAWN BY:	BAZ		A4

MIN 400 BETWEEN BOLLARD AND TANK

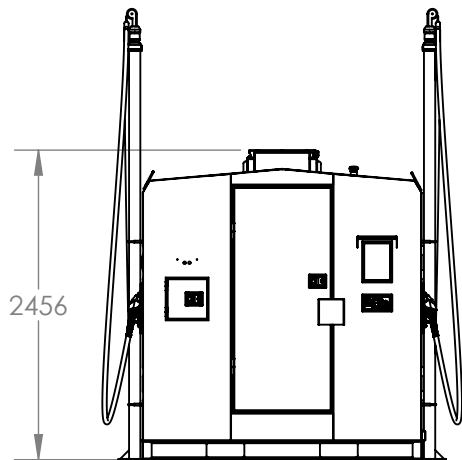
BOLLARDS - MAX 1500mm BETWEEN
 POWER CONDUIT LOCATION
 COMPACTED HARDFILL FOUNDATION



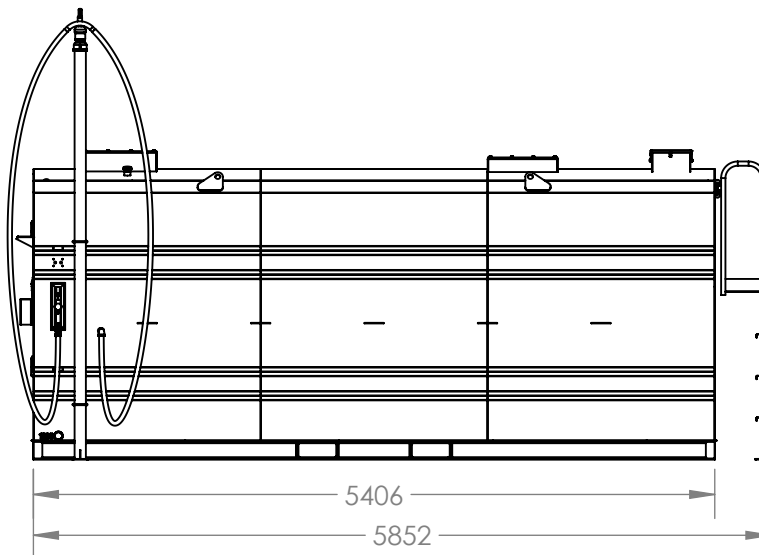
4312

CENTRE BOLLARD IS SITE SPECIFIC

8406

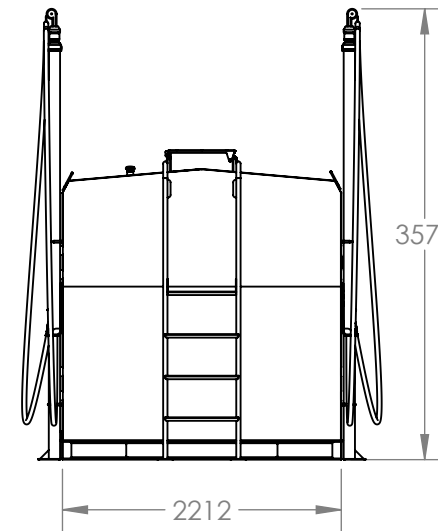


2456



5406

5852



3577

2212

COMPACTED HARDFILL FOUNDATION

NOTES / AMENDMENTS:



DRAWING NO: FSL 20,000 DS TANK

SCALE: N/A

DIMENSIONS: MM

DRAWN BY: BAZ

SHEET NO: 2

ISSUE DATE: 10/10/2022

A4